



**General**

1	72 High-efficient monocrystalline solar cells (156*156 mm) per module, 6 strings, 3 bypass-diodes
2	Front glass: 3.2 mm, high transmissivity low-iron toughened glass
3	Frame: anodized aluminum

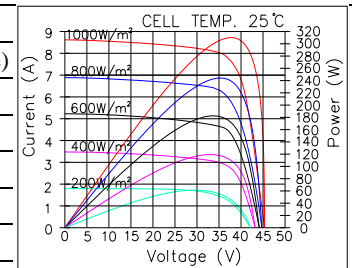
**Connection**

4	Junction box: plastic, water resistant, IP65, 130*105*30 mm
5	Cabel: solar cable 4 mm <sup>2</sup> , 1.2 m (47.24 in)
6	Connectors: plug type, MC4 compatible

**Electrical Characteristics(STC\*)**

7	Maximum power	P <sub>MPP</sub>	310W
8	Tolerance		±3% (0- +3% achievable)
9	Open-circuit voltage	U <sub>OC</sub>	45.36V
10	Short-circuit current	I <sub>SC</sub>	8.62A
11	Voltage at Pmax	U <sub>MPP</sub>	38.32V
12	Current at Pmax	I <sub>MPP</sub>	8.09A
13	Cell temperature	T <sub>NOCT</sub>	45°C±2°C
14	Module efficiency		15.98%
	Module efficiency at low irradiance		2.99%
15	Measured voltage at P <sub>MPP</sub> tolerance: ±3%; other values tolerance: ±3%		

**Characteristics Curve**



\*STC (Standard-Testing Conditions): Irradiance level 1,000 W/m<sup>2</sup>; Air-Mass (AM) 1.5; cell temperature 25°C;

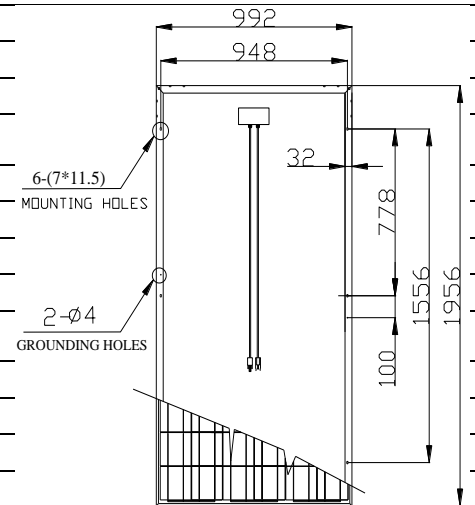
\*\* (at low irradiance) irradiance level 200 W/m<sup>2</sup>, Air-Mass (AM) 1.5; cell temperature 25°C

**Temperature Coefficient (changes with temperature changes)**

16	Temp coefficient of Voc	U <sub>OC</sub>	-0.346%/°C
17	Temp coefficient of Isc	I <sub>SC</sub>	0.036%/°C
18	Temp coefficient of power	P <sub>MPP</sub>	-0.47%/°C

**Mechanical data (dimensions and weight)**

19	Length	1,956mm(77.01 in)
	Width	992mm(39.067 in)
	Height	40mm(1.57 in)
20	Weight	22.0kg(48.5LB)



**Limits**

21	Maximum voltage	1,000V
22	Fuse rating	15A
23	Operating temperature	-40~+85°C
24	Maximum pressure(according to IEC 61215 ed.2)	5,400 N/m <sup>2</sup>
25	Application class (according to IEC 61730)	A
26	Fire class (according to IEC 61730)	B
27	Class	II

**Approvals and Certificates**

28	IEC 61215 ed.2	
	IEC 61730	
29	Wanxiang New Energy, LLC	Tel: 1-815-226-0884
	5985 Logistics Parkway	Fax: 1-847-931-4838
	Rockford, IL61109-3606	<a href="http://www.wanxiang-energy.com">http://www.wanxiang-energy.com</a>