



Universal Solar



Solar Modules

WXS290P -US

Specifications

Cell Type	Multi-Silicon solar Cells
Cell Size	156mm×156mm (6.14×6.14in)
No. of cells and connections	72(6×12)
Dimension of module(mm)	1956×992×40mm (77.01×39.06×1.57in)
Weight	22.0Kg (48.5lbs)

Electrical Characteristics

Model	WXS290P-US
Maximum power at STC(Pm)	290W
Open-circuit voltage(Voc)	44.72V
Short-circuit current(Isc)	8.84A
Voltage at Pmax(Vmp)	37.18V
Current at Pmax(Imp)	7.80A
Application	DC 24V system

(STC:Irradiance AM1.5, 1000W/m², 25°C)

Limits

Fuse rating	15A
Maximum system voltage	1000VDC
Operating temperature	-40°F to +185°F (-40°C to +85°C)

Temperature and Coefficients

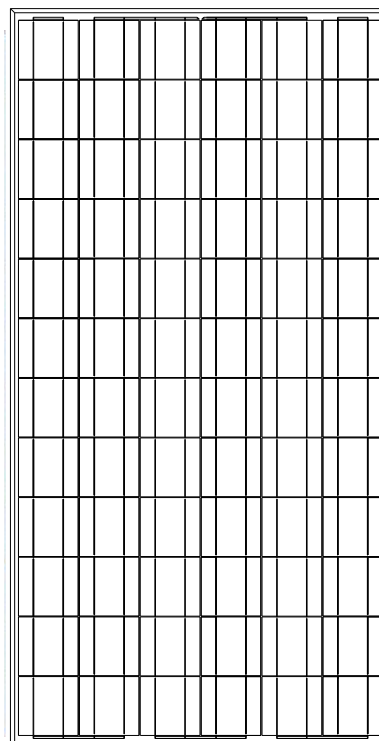
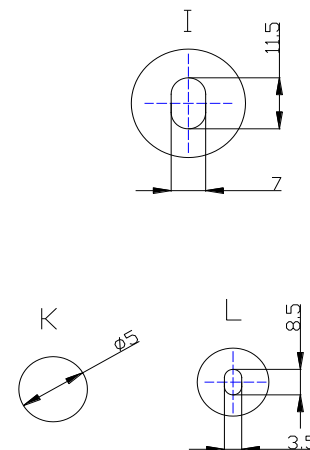
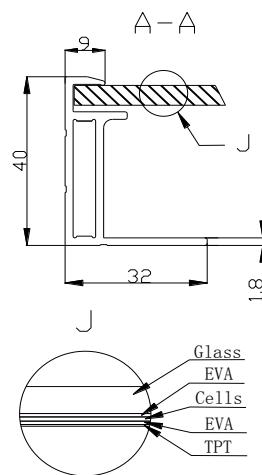
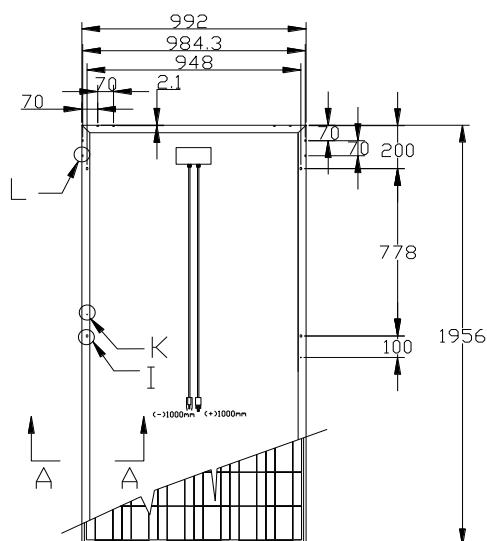
NOCT	48°C ±2°C
Temp coefficient of Voc	-0.34%/°C
Temp coefficient of Isc	0.03%/°C
Temp coefficient of power	-0.43%/°C

NOCT:Nominal Operation Cell Temperature

Output

Type of output terminal	Junction box
Cable	12AWG
Cable lengths	1000mm (39.37in)
Connector	Tyco or MC4

Mechanical Characteristics



Characteristics Curve

