



# Universal Solar



## Solar Modules WXS270P -US

### Specifications

Cell Type	Multi-Silicon solar Cells
Cell Size	156mm×156mm (6.14×6.14in)
No. of cells and connections	72(6×12)
Dimension of module(mm)	1956×992×40mm (77.01×39.06×1.57in)
Weight	22.0Kg (48.5lbs)

### Electrical Characteristics

Model	WXS270P-US
Maximum power at STC(Pm)	270W
Open-circuit voltage(Voc)	44.24V
Short-circuit current(Isc)	8.39A
Voltage at Pmax(Vmp)	36.48V
Current at Pmax(Imp)	7.40A
Application	DC 24V system

(STC:Irradiance AM1.5, 1000W/m<sup>2</sup>, 25°C)

### Limits

Fuse rating	15A
Maximum system voltage	1000VDC
Operating temperature	-40°F to +185°F (-40°C to +85°C)

### Temperature and Coefficients

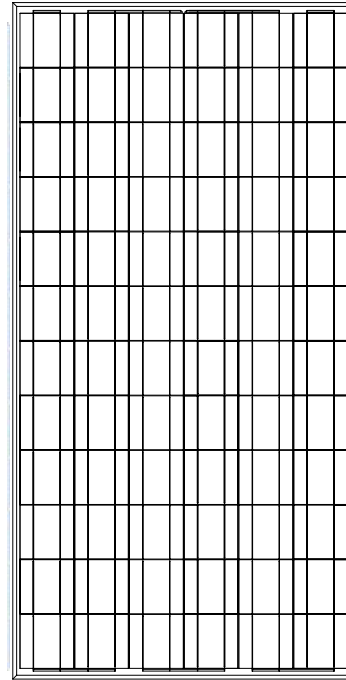
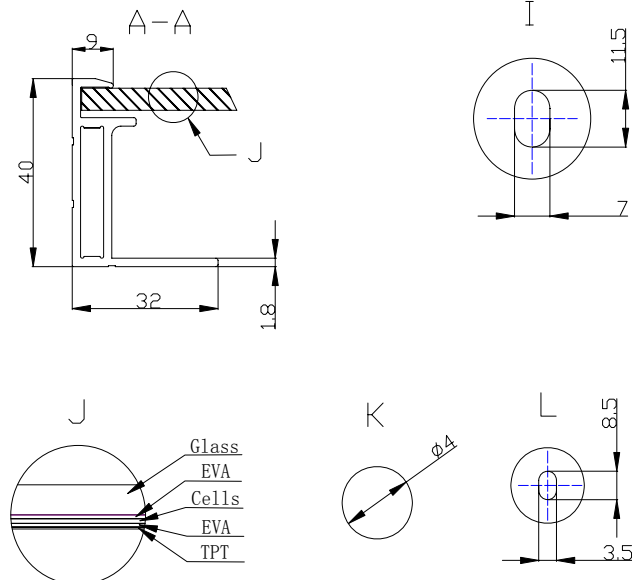
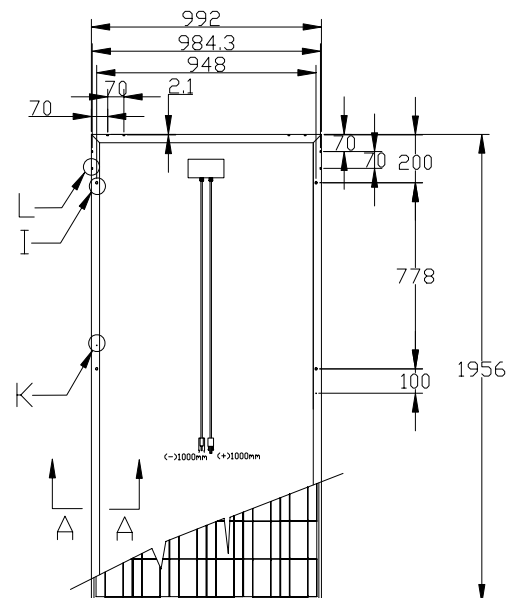
NOCT	48°C ±2°C
Temp coefficient of Voc	-0.33%/°C
Temp coefficient of Isc	0.046%/°C
Temp coefficient of power	-0.47%/°C

NOCT:Nominal Operation Cell Temperature

### Output

Type of output terminal	Junction box
Cable	12AWG
Cable lengths	1000mm (39.37in)
Connector	Tyco Electronics Solarlok

### Mechanical Characteristics



### Characteristics Curve

