



# Universal Solar

## Solar Modules WXS220P -US



### Specifications

|                              |                                    |
|------------------------------|------------------------------------|
| Cell Type                    | Multi-Silicon solar Cells          |
| Cell Size                    | 156mm×156mm (6.14×6.14in)          |
| No. of cells and connections | 60(6×10)                           |
| Dimension of module(mm)      | 1640×992×40mm (64.57×39.06×1.57in) |
| Weight                       | 18.5Kg (40.8lbs)                   |

### Electrical Characteristics

|                            |            |
|----------------------------|------------|
| Model                      | WXS220P-US |
| Maximum power at STC(Pm)   | 220W       |
| Open-circuit voltage(Voc)  | 36.83V     |
| Short-circuit current(Isc) | 8.29A      |
| Voltage at Pmax(Vmp)       | 30.27V     |
| Current at Pmax(Imp)       | 7.27A      |

(STC:Irradiance AM1.5, 1000W/m<sup>2</sup>, 25°C)

### Limits

|                        |                                  |
|------------------------|----------------------------------|
| Fuse rating            | 15A                              |
| Maximum system voltage | 1000VDC                          |
| Operating temperature  | -40°F to +185°F (-40°C to +85°C) |

### Temperature and Coefficients

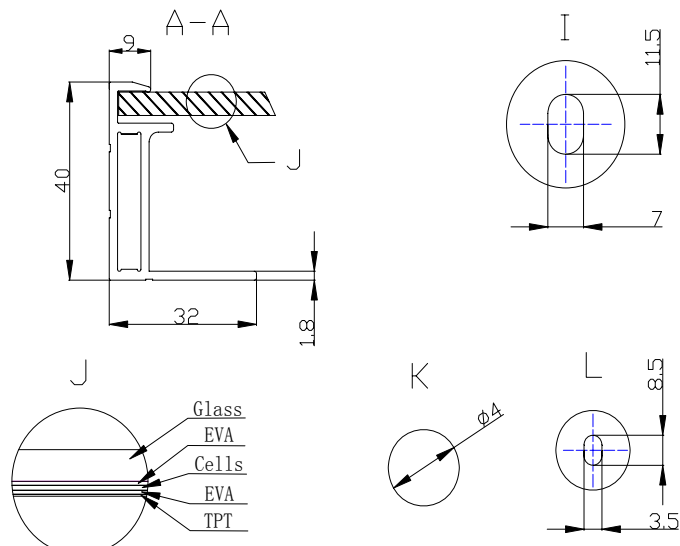
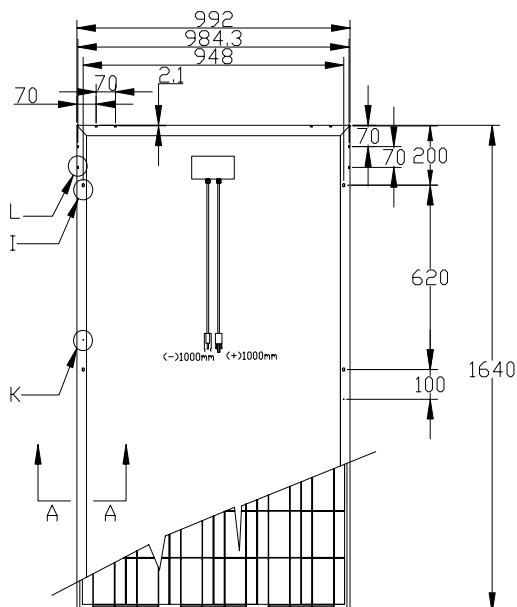
|                           |           |
|---------------------------|-----------|
| NOCT                      | 48°C±2°C  |
| Temp coefficient of Voc   | -0.30%/°C |
| Temp coefficient of Isc   | 0.046%/°C |
| Temp coefficient of power | -0.47%/°C |

NOCT:Nominal Operation Cell Temperature

### Output

|                         |                           |
|-------------------------|---------------------------|
| Type of output terminal | Junction box              |
| Cable                   | 12AWG                     |
| Cable lengths           | 1000mm (39.37in)          |
| Connector               | Tyco Electronics Solarlok |

### Mechanical Characteristics



### Characteristics Curve

